



Vacuum Solenoid Valve

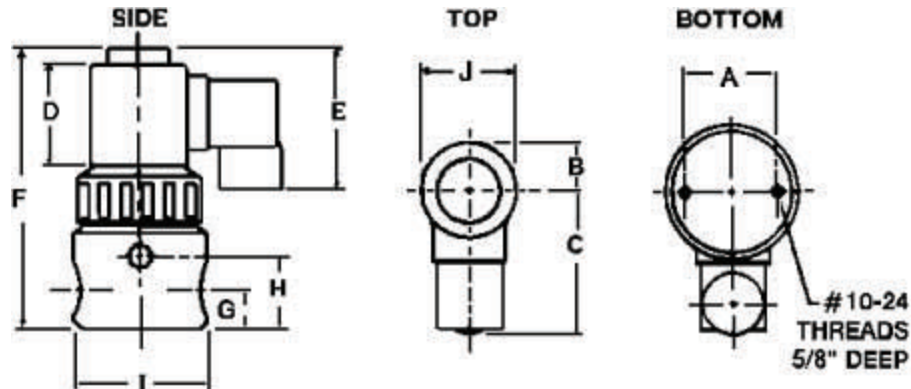
Compact and economical PTFE bellows thermoplastic solenoid valve. For applications requiring a compact, cost effective valve with an extended cycle life.



- **Compact Size:** Ideal for limited space installations.
- **Economical:** Low cost and high pressure ratings and considerable flow rates.
- **Unique Design:** PTFE bellows barrier type dynamic seal prevents leaking.
- **Superior Performance:** 2 Million cycle design.
- **Energy Efficient:** Molded 11 Watt NEMA 4 style coil with DIN.
- **Corrosion Resistant:** Rugged thermoplastic construction is resistant to both internal and atmospheric corrosion. No metal parts in wetted areas.
- **Safe & Dependable:** Patented Fail-Dry safety design provides visual warning if seal malfunctions, while allowing valves to continue operation until maintenance can be performed.

Ordering Information

Part Number	Description
VS-682-100	100 PPD, 3/8" Tubing Connectors
VS-682-250	250 PPD, 1/2" Tubing Connectors
VS-682-500	500 PPD, 5/8" Tubing Connectors



Pipe Size	A		B		C		D		E	
	In.	mm.	In.	mm.	In.	mm.	In.	mm.	In.	mm.
1/4 & 1/2	1-1/2	38.1	3/4	19.0	2-5/8	66.7	1-5/8	41.3	1-5/16	58.7

Pipe Size	F		G		H		I		J	
	In.	mm.	In.	mm.	In.	mm.	In.	mm.	In.	mm.
1/4 & 1/2	4-9/16	115.9	5/8	15.9	1-3/16	30.2	2-5/32	54.8	1-1/2	38.1